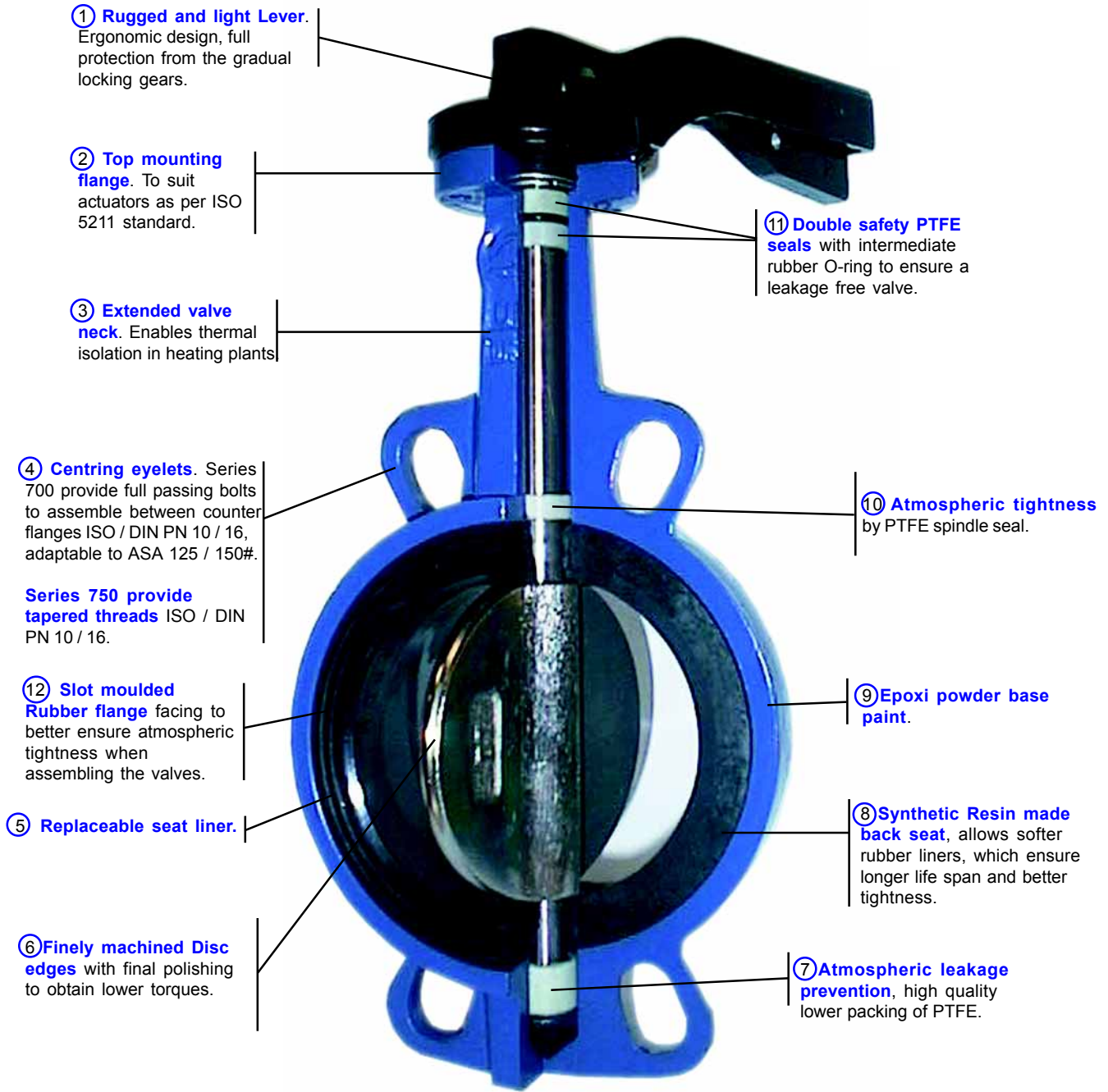


Advanced Design



① **Rugged and light Lever.**  
Ergonomic design, full protection from the gradual locking gears.

② **Top mounting flange.** To suit actuators as per ISO 5211 standard.

③ **Extended valve neck.** Enables thermal isolation in heating plants

⑪ **Double safety PTFE seals** with intermediate rubber O-ring to ensure a leakage free valve.

④ **Centring eyelets.** Series 700 provide full passing bolts to assemble between counter flanges ISO / DIN PN 10 / 16, adaptable to ASA 125 / 150#.

⑩ **Atmospheric tightness** by PTFE spindle seal.

**Series 750 provide tapered threads** ISO / DIN PN 10 / 16.

⑫ **Slot moulded Rubber flange** facing to better ensure atmospheric tightness when assembling the valves.

⑨ **Epoxi powder base paint.**

⑤ **Replaceable seat liner.**

⑧ **Synthetic Resin made back seat,** allows softer rubber liners, which ensure longer life span and better tightness.

⑥ **Finely machined Disc edges** with final polishing to obtain lower torques.

⑦ **Atmospheric leakage prevention,** high quality lower packing of PTFE.

Design and Constructive Data

Bi-directional design, absolutely tightness; Constructive Design as per EN 593, face to face length as conforming to DIN 3202 / ISO 5752 SERIES 20; Design Pressure: 16 bar, MAWT: 120°C with EPDM SEAT / 140°C with VITON SEAT, Testing Procedures conforming to DIN 3230 / ISO 5208; WAFER style to be assemble between flanges DIN PN 16, PN 10 and ASA 125(ANSI B.16.5 150lbs on request), top flange prepared to accept actuators conforming to ISO 5211.

STANDRAD BILL OF MATERIALS:  
 Body: Grey Iron GG 25 (EN-GJL-250), EPOXI coated.  
 Disc: Ductile Iron GGG 40 (EN-GJL-400) Nickel-plated / Stainless Steel ASI 316.  
 Stem: Stainless Steel 421  
 Resilient Seats: EPDM – Other rubber qualities available for replacement: VITON, NBR and NEOPRENE.

## Flow Rate Data

DN	Disc Opening Angle								
	10°	20°	30°	40°	50°	60°	70°	80°	90°
40	0,048	2,4	5,6	12	21,6	35,2	56	84	92
50	0,06	3	7	15	27	44	70	105	115
65	0,10	6	12	25	45	75	119	178	196
80	0,20	9	18	39	70	116	183	275	302
100	0,30	17	36	78	139	230	364	546	600
125	0,50	29	61	133	237	392	620	930	1.022
150	0,80	45	95	205	366	605	958	1.437	1.579
200	2	89	188	408	727	1.202	1.903	2.854	3.136
250	3	151	320	694	1.237	2.047	3.240	4.859	5.340
300	4	234	495	1.072	1.911	3.162	5.005	7.507	8.250
350	6	338	715	1.549	2.761	4.568	7.230	10.844	11.917
400	8	464	983	2.130	3.797	6.282	9.942	14.913	16.388
450	11	615	1.302	2.822	5.028	8.320	13.168	19.752	21.705
500	14	791	1.674	3.628	6.465	10.698	16.931	25.396	27.908
600	22	1.222	2.587	5.605	9.989	16.528	26.157	39.236	43.116

## Main Duties

H.V.A.C, Water Treatment Plants, Sewage Network, Hydrocarbons, Transmission, quenching and lube oils, Air and general Services.

## Operating Options

Hand Lever; Worm Gear with Hand Wheel, Single Acting Pneumatic Actuator, Double Acting Pneumatic Actuator, Electric Actuator.

Control Accessories: Solenoid Valves, Limit Switches, NAMUR box enclosures, positioners...



(1).- Unless otherwise stated, all units used for the interpretation of this data sheet are: dimensions in mm / weight in Kgs / Kvs in c.m.h / pressure in barg (1 bar = 0.1 Mpa).  
 (2).- Operating and Start up booklets can be obtained from our Technical Department.



**SERIE 700**

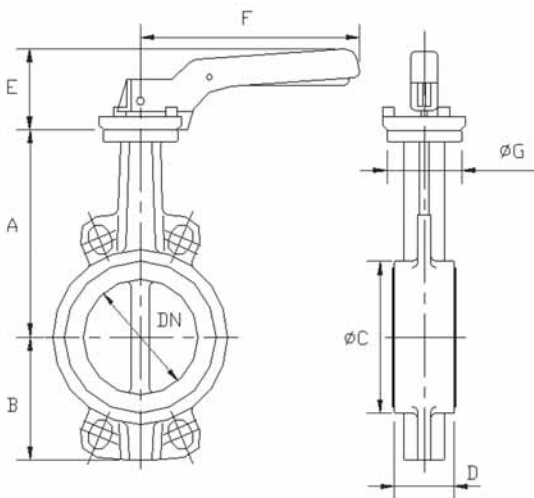
- \* Bi-directional Valve Design, Suitable for ON / OFF or intermediate positions services.
- \* Extremely polished disc, which provides a very favourable operating torque.
- \* Synthetic Resin made back seat, allows softer rubber liners, which ensure longer life span and better tightness.
- \* Replaceable seats, easy to extract stem.
- \* Lever of ergonomic design, full protection from the gradual locking gears.
- \* Quality lower and upper packing to ensure a perfect atmospheric tightness.
- \* Assembling / Centring eyelets.
- \* Full range of actuation and control accessories available.

RATING AVAILABLE FROM STOCK: PN16 DN25-DN300; PN10 DN350-DN1000  
 CONNECTION TO FLANGES AVAILABLE FROM STOCK: DIN PN16/10 DN25-DN300  
 DIN PN10 DN350-DN1000

Other options under request

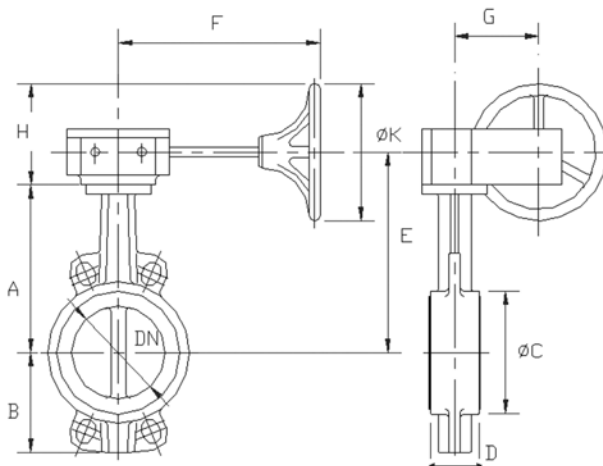
## Main Dimensions

Valves operated by Hand Lever.



DN	A	B	ØC	D	E	F	ØG
mm	mm	mm	mm	mm	mm	mm	mm
32	121	57	73	33	74	200	65
40	130	61	82	33	74	200	65
50	136,5	77	95	43	74	200	65
65	142	87,5	109	46	74	200	65
80	158	95	127	46	74	200	65
100	180	107	152	52	74	200	65
125	192	121,5	180	56	79	278	90
150	215	144	207	56	79	278	90
200	241,5	171	260	60	37	355	125
250	280	205	315	68	37	507	150
300	310	235	370	78	37	507	150

Valves operated by Worm Gear Hand Wheel.



DN	A	B	ØC	D	E	F	G	H	ØK
mm	mm	mm	mm	mm	mm	mm	mm	mm	mm
32	121	57	73	33	162	156	42	116	150
40	130	61	82	33	171	156	42	116	150
50	136,5	77	95	43	177,5	156	42	116	150
65	142	87,5	109	46	183	156	42	116	150
80	158	95	127	46	199	156	42	116	150
100	180	107	152	52	221	156	45	116	150
125	192	121,5	180	56	233	156	42	168	250
150	215	144	207	56	256	156	42	168	250
200	241,5	171	260	60	284	241	68	192,5	300
250	280	205	315	68	319,5	223	80	189,5	300
300	310	235	370	78	349,5	223	80	189,5	300
350	337	258,5	418	78	376,5	223	80	189,5	300
400	357,3	303,3	470	102	415,2	270	114	207,9	300
450	380	365	525	114	437,9	270	114	257,9	400
500	426,3	392	575	127	497,8	339	125	221,5	300
600	616,5	513,5	693	154	688	339	125	221,5	300

\* Consult our Technical Sales Department for other dimensional engineering data not shown in the above tables such as valves fitted with pneumatic actuators, electric actuators, hydraulic cylinders...

(1).- Unless otherwise stated, all units used for the interpretation of this data sheet are: dimensions in mm / weight in Kgs / Kvs in c.m.h / pressure in barg (1 bar = 0.1 Mpa).  
 (2).- Operating and Start up booklets can be obtained from our Technical Department.

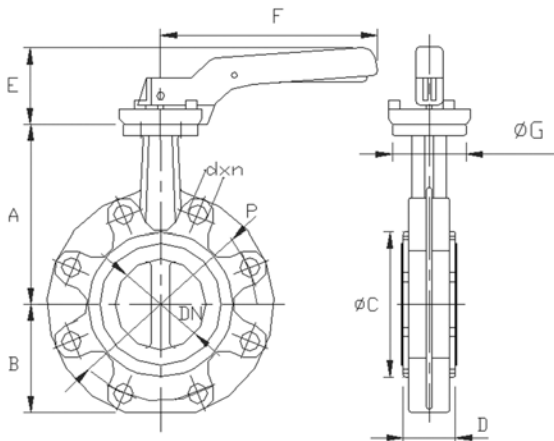


- \* Bi-directional Valve Design, Suitable for ON / OFF or intermediate positions services.
- \* Extremely polished disc, which provides a very favourable operating torque.
- \* Synthetic Resin made back seat, allows softer rubber liners, which ensure longer life span and better tightness.
- \* Replaceable seats, easy to extract stem.
- \* Lever of ergonomic design, full protection from the gradual locking gears.
- \* Quality lower and upper packing to ensure a perfect atmospheric tightness.
- \* Assembling / Centring tapered threads.
- \* Full range of actuation and control accessories available.

SERIE 750

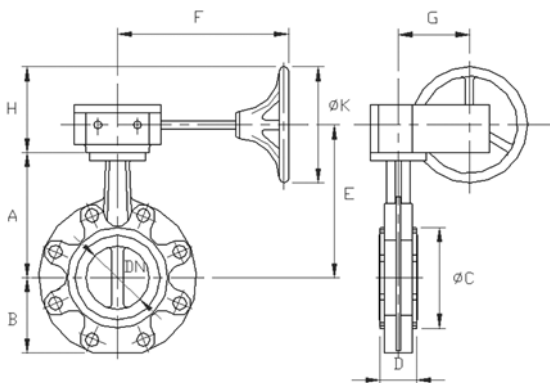
## Main Dimensions

Valves operated by Hand Lever.



DN	A	B	ØC	D	E	F	ØG	PN 10			PN 16			
								P	d	n	P	d	n	
mm	mm	mm	mm	mm	mm	mm	mm	mm	mm	mm	mm	mm	mm	mm
32	121	57	73	33	74	200	65	100	M16	4	100	M16	4	
40	130	61	82	33	74	200	65	110	M16	4	110	M16	4	
50	136,5	77	95	43	74	200	65	125	M16	4	125	M16	4	
65	142	87,5	109	46	74	200	65	145	M16	4	145	M16	4	
80	158	95	127	46	74	200	65	160	M16	8	160	M16	8	
100	180	107	152	52	74	200	65	180	M16	8	180	M16	8	
125	192	121,5	180	56	79	278	90	210	M16	8	210	M16	8	
150	215	144	207	56	79	278	90	240	M20	8	240	M20	8	
200	241,5	171	260	60	37	355	125	295	M20	8	295	M20	12	
250	280	205	315	68	37	507	150	350	M20	12	355	M24	12	
300	310	235	370	78	37	507	150	400	M20	12	410	M24	12	

Valves operated by Worm Gear Hand Wheel.



DN	A	B	ØC	D	E	F	G	H	ØK	PN 10			PN 16		
										P	d	n	P	d	n
mm	mm	mm	mm	mm	mm	mm	mm	mm	mm	mm	mm	mm	mm	mm	mm
32	121	57	73	33	162	156	42	116	150	100	M16	4	100	M16	4
40	130	61	82	33	171	156	42	116	150	110	M16	4	110	M16	4
50	136,5	77	95	43	177,5	156	42	116	150	125	M16	4	125	M16	4
65	142	87,5	109	46	183	156	42	116	150	145	M16	4	145	M16	4
80	158	95	127	46	199	156	42	116	150	160	M16	8	160	M16	8
100	180	107	152	52	221	156	45	116	150	180	M16	8	180	M16	8
125	192	121,5	180	56	233	156	42	168	250	210	M16	8	210	M16	8
150	215	144	207	56	256	156	42	168	250	240	M20	8	240	M20	8
200	241,5	171	260	60	284	241	68	192,5	300	295	M20	8	295	M20	12
250	280	205	315	68	319,5	223	80	189,5	300	350	M20	12	355	M24	12
300	310	235	370	78	349,5	223	80	189,5	300	400	M20	12	410	M24	12
350	337	258,5	418	78	376,5	223	80	189,5	300	460	M20	16	470	M24	16
400	357,3	303,3	470	102	415,2	270	114	207,9	300	515	M24	16	525	M27	16
450	380	365	525	114	437,9	270	114	257,9	400	565	M24	20	585	M27	20
500	426,3	392	575	127	497,8	339	125	221,5	300	620	M24	20	650	M30	20
600	616,5	513,5	693	154	688	339	125	221,5	300	725	M27	20	770	M33	20

\* Consult our Technical Sales Department for other dimensional engineering data not shown in the above tables such as valves fitted with pneumatic actuators, electric actuators, hydraulic cylinders...

(1).- Unless otherwise stated, all units used for the interpretation of this data sheet are: dimensions in mm / weight in Kgs / Kv in c.m.h / pressure in barg (1 bar = 0.1 Mpa).  
 (2).- Operating and Start up booklets can be obtained from our Technical Department.